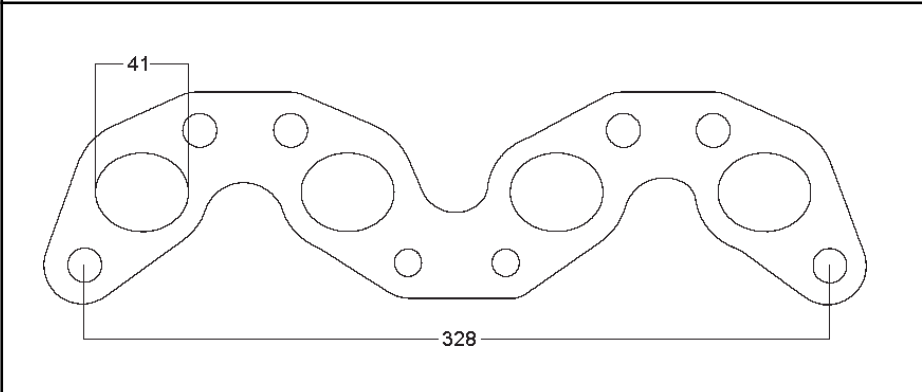


Flange: **FL9002**  
 Gasket: GK9002

Motor:

CA18S	1598cc	SOHC
CA18E + CA18ET	1809cc	SOHC
CA18N	1796cc	SOHC
CA18I + CA18S	1809cc	SOHC
CA20E + CA20S	1974cc	SOHC

L4

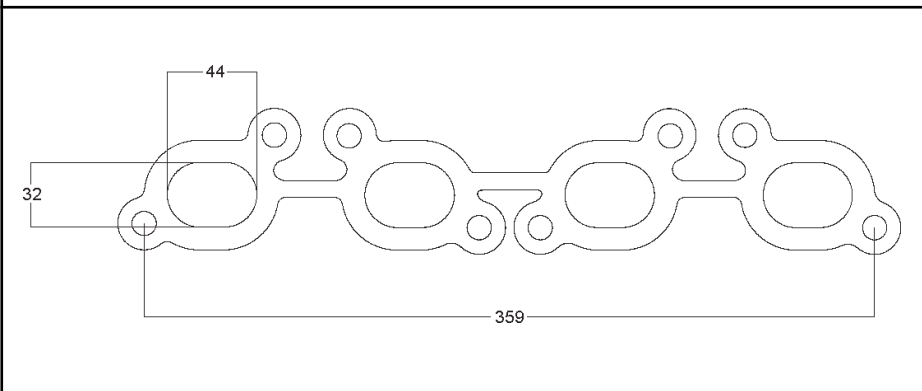


Flange: **FL9006**  
 Gasket: GK9006

Motor:

CA18DE + CA18DT	1809cc	DOHC
-----------------	--------	------

L4

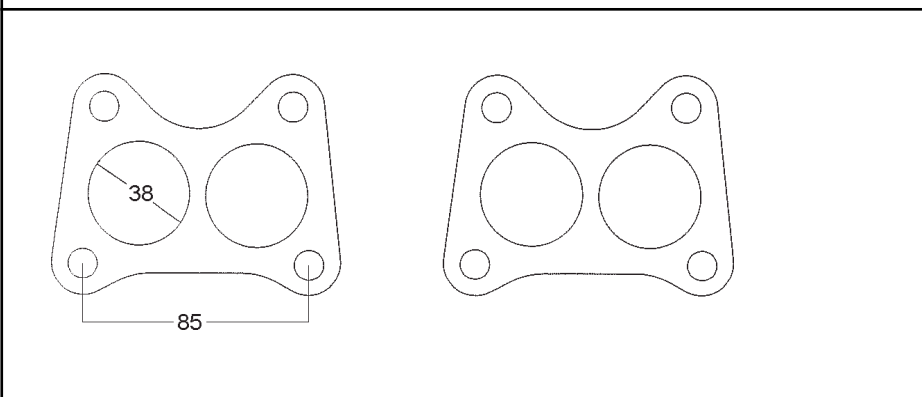


Flange: **FL9044**  
 Gasket: GK9044

Motor:

SR18DE + SR18DI	1838cc	DOHC	16V
SR20DE + SR20DET	1998cc	DOHC	16V

L4

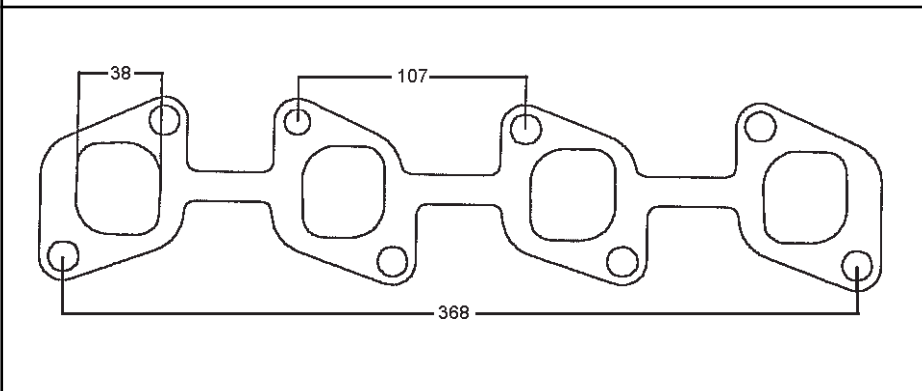


Flange: **FL9057**  
 Gasket: GK9057

Motor:

GA13DE + GA13DS	1295cc	DOHC	16V
GA14DE + GA14DS	1392cc	DOHC	16V
GA15DE + GA15DS	1497cc	DOHC	16V
GA16DE + GA16DE	1597cc	DOHC	16V
QD18DE + QG13DE + QG15DE + QG16DE + QG18DD		DOHC	16V

L4



Flange: **FL9080**  
 Gasket: 9080

Motor:

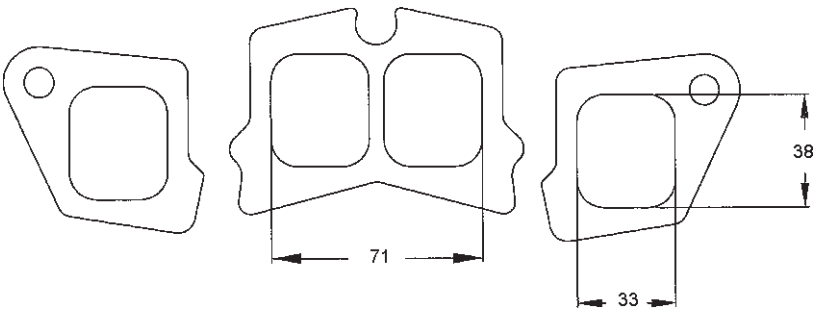
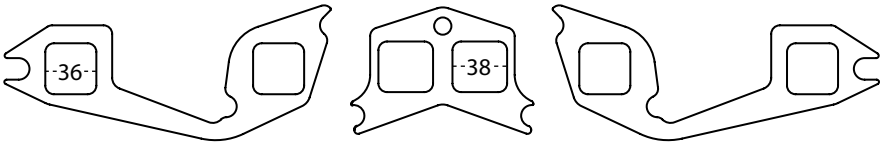
TD23	2289cc	OHV
TD25	2494cc	OHV
TD27 + TD27T	2663cc	OHV
QD32	3153cc	OHV

L4 Diesel

# NISSAN 4CYL



	<p>Flange: <b>FL9098</b> Gasket: GK9098</p> <p>Motor:</p> <table border="0"> <tr> <td>Z16S + Z16E</td> <td>1595cc</td> <td>SOHC</td> </tr> <tr> <td>Z18S + Z18E + Z18ET</td> <td>1770cc</td> <td>SOHC</td> </tr> <tr> <td>Z20S + Z20E</td> <td>1952cc</td> <td>SOHC</td> </tr> <tr> <td>Z22S + Z22E</td> <td>2187cc</td> <td>SOHC</td> </tr> <tr> <td>Z24S + Z24E</td> <td>2389cc</td> <td>SOHC</td> </tr> </table> <p>L4</p>	Z16S + Z16E	1595cc	SOHC	Z18S + Z18E + Z18ET	1770cc	SOHC	Z20S + Z20E	1952cc	SOHC	Z22S + Z22E	2187cc	SOHC	Z24S + Z24E	2389cc	SOHC
Z16S + Z16E	1595cc	SOHC														
Z18S + Z18E + Z18ET	1770cc	SOHC														
Z20S + Z20E	1952cc	SOHC														
Z22S + Z22E	2187cc	SOHC														
Z24S + Z24E	2389cc	SOHC														
	<p>Flange: <b>FL9167</b> Gasket: GK9167</p> <p>Motor:</p> <table border="0"> <tr> <td>E15T</td> <td>1488cc</td> <td></td> </tr> <tr> <td>E16</td> <td>1597cc</td> <td>SOHC</td> </tr> </table> <p>L4</p>	E15T	1488cc		E16	1597cc	SOHC									
E15T	1488cc															
E16	1597cc	SOHC														
	<p>Flange: <b>FL9203</b> Gasket: GK9203</p> <p>Motor:</p> <table border="0"> <tr> <td>FJ20E + FJ20DE</td> <td>1990cc</td> <td>DOHC</td> </tr> </table> <p>L4</p>	FJ20E + FJ20DE	1990cc	DOHC												
FJ20E + FJ20DE	1990cc	DOHC														
	<p>Flange: <b>FL9205</b> Gasket: GK9205</p> <p>Motor:</p> <table border="0"> <tr> <td>E13</td> <td>1270cc</td> <td>SOHC</td> </tr> <tr> <td>E15</td> <td>1488</td> <td>SOHC</td> </tr> </table> <p>L4</p>	E13	1270cc	SOHC	E15	1488	SOHC									
E13	1270cc	SOHC														
E15	1488	SOHC														
	<p>Flange: <b>FL9215</b> Gasket: GK9215</p> <p>Motor:</p> <table border="0"> <tr> <td>KA24E</td> <td>2389cc</td> <td>SOHC</td> <td>12V</td> </tr> </table> <p>L4</p>	KA24E	2389cc	SOHC	12V											
KA24E	2389cc	SOHC	12V													

	<p>Flange: <b>FL9224</b> Gasket: GK9224</p> <p>Motor: A14            1397cc A12            1171cc</p> <p>L4</p>
	<p>Flange: <b>FL9252</b> Gasket: GK9252</p> <p>Motor: L16 L18 L20B</p> <p>L4</p>
	<p>Flange: <b>FL9316</b> Gasket: GK9316</p> <p>Motor: GA14S            1392cc    SOHC    12V GA15E + GA15S   1497cc    SOHC    12V GA16S            1597cc    SOHC    12V</p> <p>L4</p>
	<p>Flange: <b>FL9391</b> Gasket: GK9391</p> <p>Motor: MQ60</p> <p>L4</p>